

environmental monitoring
s y s t e m s

For additional questions regarding the Inner Wall System for the Micro5™ or to find out more about quality environmental products, equipment and supplies manufactured and distributed by ems

call **1.800.293.3003**

Respirators	Air Sampling Equipment
Microscopes	Mold Testing Equipment
Protective Clothing	Asbestos & Lead Supplies
Analytical Accessories	Indoor Air Quality Products

Environmental Monitoring Systems

1.800.293.3003 www.emssales.net

3864 Leeds Ave, Charleston, SC 29405



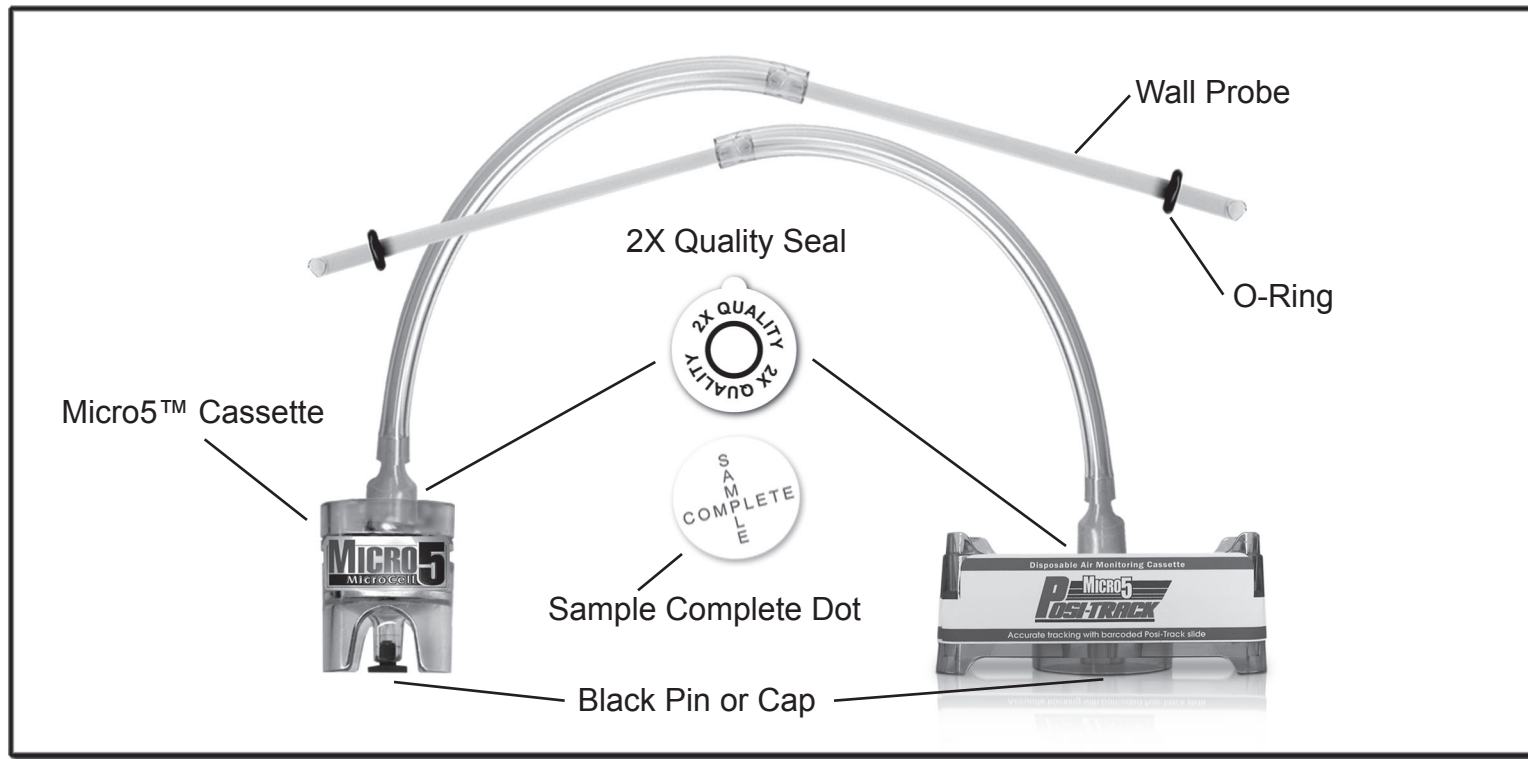
Inner Wall Samplers for the

Micro5™ & *Posi-Track*

catalog # 120138-M5

I N S T R U C T I O N S

Inner Wall Samplers For the Micro5™ and Micro5 POSI-TRACK™



- 1 Select a location on the suspect wall approximately 3-6 inches from the floor. If possible, choose an inconspicuous location such as behind a baseboard.
- 2 Drill a 3/8" hole into the wall with a hand drill. Take care to move slowly; this will minimize the aerosolization of gypsum dust.
- 3 If the wall cannot be penetrated with the hand drill (i.e. wood paneling), a low speed cordless drill set on the lowest possible speed may be used. High speed drilling will increase the aerosolization of dust.
- 4 Remove the 2X Quality Seal from the top of the cassette. Save the 2X Quality Seal to reseal the cassette after sampling. It is recommended the seal be stored by sticking it to the side of the cassette. Attach the wall probe to the top inlet.
- 5 Remove the black pin or cap from the bottom of the cassette and attach approximately 5 feet of tubing from the bottom of the cassette to your pre-calibrated pump.
- 6 Insert the wall probe into the wall cavity. Push O-Ring to wall opening to seal the hole.
- 7 Turn on the pump and collect sample for 2 minutes at 5 liters per minute.
- 8 Remove the Inner Wall System from the top of the cassette and disconnect the tubing from the bottom of the cassette. As "overloading" is a common occurrence in wall sampling, hold the cassette up to a bright light and see if you can see through the slide. If you cannot see through it, the cassette is "overloaded" and the laboratory will not be able to analyze the sample. Discard that sample and take another sample using a 1 minute sample time.
- 9 Reseal the cassette with the 2X Quality Seal and adhere the Sample Complete Dot (optional).
- 10 Replace the black pin or cap in the bottom of the cassette.
- 11 Complete any required laboratory documentation.
- 12 Send cassette to laboratory for analysis.

TO PREVENT CROSS CONTAMINATION, DISPOSE OF TUBING AND WALL PROBE AFTER USE.